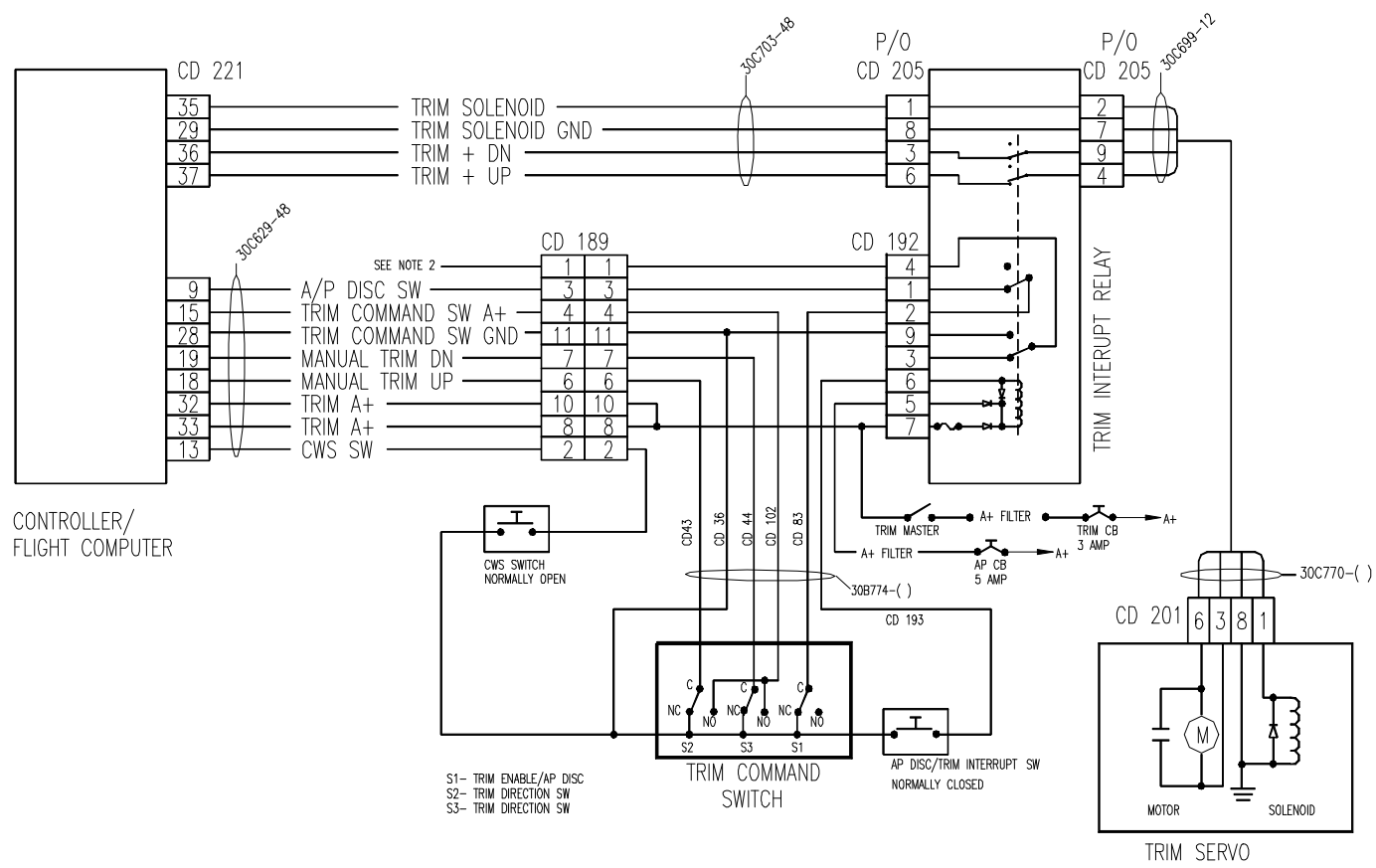



REVISIONS			
LTR	DESCRIPTION	DATE	APPROVED
-	RELEASED PER E.O. 12460	5-12-86	T.SHAW
A	REVISED PER E.O. 12785	11-4-87	L.HIGGINS
B	REVISED PER E.O. 12868	3-24-88	L.HIGGINS
C	REVISED PER E.O. 12903	4-19-88	WJT
D	REVISED PER E.O. 12985	10-4-88	WJT
E	REVISED PER E.O. 15198	2-18-94	SC
F	REVISED PER E.O. 16737	4-1-98	SC
G	REVISED PER E.O. 17087	3-30-99	SC
H	REVISED PER E.O. 17173	6-28-99	SC



- NOTES:
1. THE WIRE USED FOR ALL FIELD FABRICATED EXTERNAL WIRING CABLE HARNESSSES IS TO BE 22 AWG AND MUST MEET OR EXCEED THE REQUIREMENTS OF MIL-W-16878/4 TYPE E UNLESS SPECIFIED OTHERWISE.
 2. CONNECT TO PIN 6 OF CD 196.
 3. RELAY SHOWN ENERGIZED.

DRAWN TIM SHAW 4-15-86			BOX 610, MUNICIPAL AIRPORT MINERAL WELLS TX, 76067
CHECKED SCOTT COLLINS 4-15-86			TITLE
ENGINEER BILL THOMAS 4-15-86		SIZE	DWG NO. 63C741
APPROVED W.L. JOHNS 5-6-86		SCALE	H:\USERS\DRAWING\SIZE_C
FILE: 63C741.DWG		REV	H
C2000		SCALE NONE	SHEET 1 OF 1
NEXT ASSY USED ON		APPLICATION	
<small>THIS DRAWING IS THE PROPERTY OF CENTURY FLIGHT SYSTEMS INC. AND ITS POSSESSION BY UNAUTHORIZED PERSONS SHALL NOT BE CONSIDERED AS PERMISSION TO REPRODUCE FOR SALE, IN WHOLE OR IN PART, ANY DEVICES SHOWN THEREON.</small>			