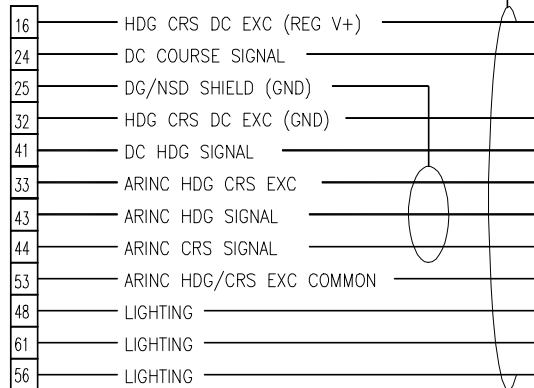
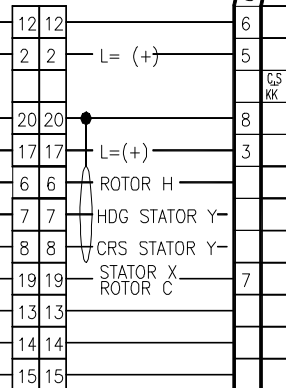


REVISIONS			
LTR	DESCRIPTION	DATE	APPROVED
-	REL. PER E.O. 16285	3-11-97	S.C.
A	REL. PER E.O. 17459	5-18-00	S.C.

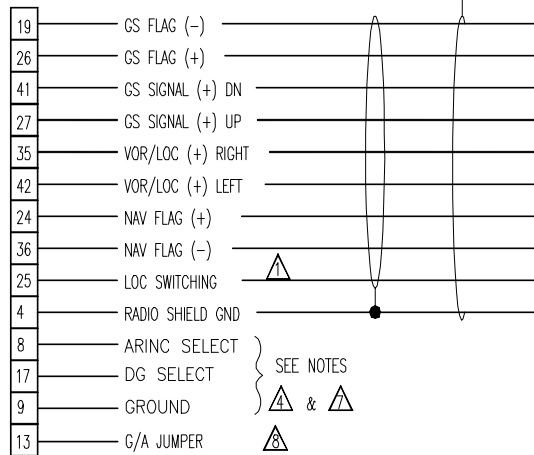
CD 184



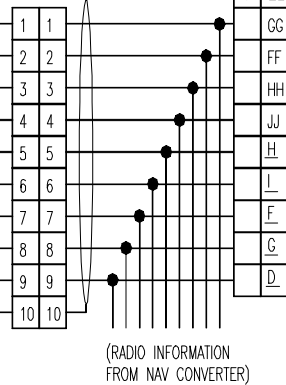
CD 175



CD 185



CD 191




KING
KPI
552/553
CD209 OF 1C929-2
J101 KING KPI 552/553

P2 OF SANDEL SW3308
P1 OF SANDEL SW3308

2 B
1 R
4 LL
GG
FF
HH
JJ
H
L
E
G
D

33
15
34
16
19
37
18
36

		DRAWN	J.N. PRUITT	3-10-97	 CENTURY <small>FLIGHT SYSTEMS, INC. BOX 610, MUNICIPAL AIRPORT MINERAL WELLS, TX, 76067</small>	
		CHECKED	MMG	3-11-97		
		ENGINEER	LWH	3-11-97		
		APPROVED	WRW	3-11-97		
		FILE NAME:	63D5852.DWG			
		CENT. 41			TITLE	WIRING INTERCONNECT, CENT. 41 COMPUTER TO VARIOUS HEADING SYSTEMS
NEXT ASSY	USED ON	THIS DRAWING IS THE PROPERTY OF CENTURY FLIGHT SYSTEMS, INC. ITS POSSESSION BY UNAUTHORIZED PERSONS SHALL NOT BE CONSIDERED AS PERMISSION TO REPRODUCE FOR SALE, IN WHOLE OR IN PART, ANY DEVICES SHOWN THEREON.			SIZE	DWG NO. 63D585
APPLICATION		SCALE		FILE: H:\USER'S\DRAWING\SIZE_D	REV	A
					SHEET	2 OF 2