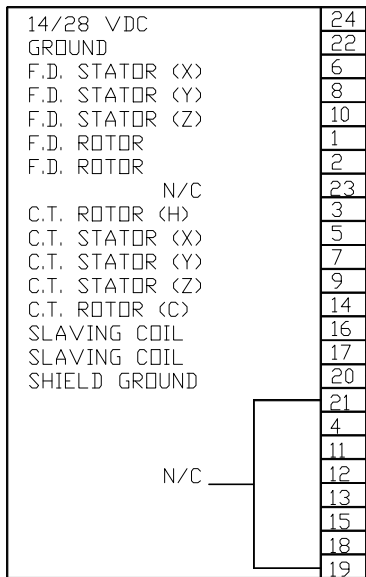


1D755 GYRO SLAVING AMPLIFIER
WITH BOOTSTRAP SYNCHRO

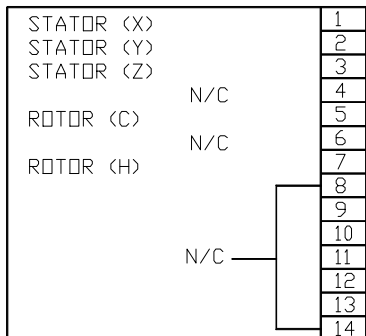
CD 115

1B495-() MAGNETIC
FLUX DETECTOR

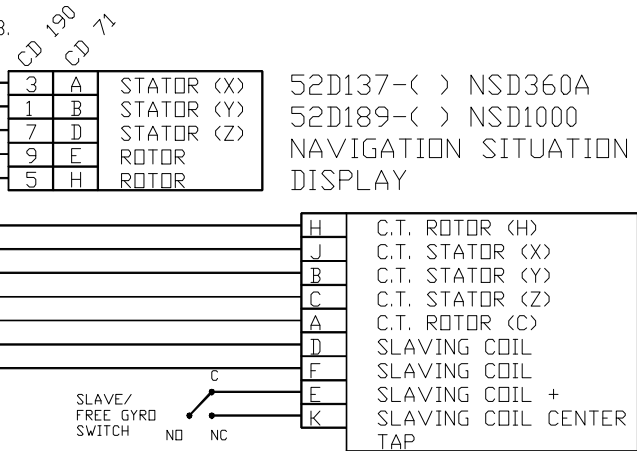
REVISIONS			
LTR	DESCRIPTION	DATE	APPROVED
-	RELEASED PER E.O. 9476	7-25-77	ACK
A	REVISED PER FECD #3235	1-9-80	LKW
B	REVISED PER FECD #3244	1-16-80	LW
C	REVISED PER ED #12597	12-17-86	EW
D	REVISED PER ED #13838	1-28-91	SC
E	REVISED PER ED #16169	11-4-96	SC
F	REVISED PER ED #16914	10-22-98	SC



CD 129



SEE NOTE 3



CD 111

NOTES:

- ALL WIRE TO BE MIL-W-16878/4 TYPE E, 22 GA SHIELDED UNLESS OTHERWISE SPECIFIED. POWER AND GROUND LEADS DO NOT REQUIRE A SHIELD.
- FLUX DETECTOR CABLE MAY BE MIL-W-16878/4 TYPE E, 24 GA SHIELDED WIRE.
- PINS 5 & 7 OF CD 129 WILL BE CONNECTED TO AN EXTERNAL INVERTER. PINS 1, 2 & 3 WILL BE CONNECTED TO THE UNIT REQUIRING THE BOOTSTRAP SIGNAL.

THIS DRAWING IS THE PROPERTY OF CENTURY FLIGHT SYSTEMS INC. AND POSSESSION BY UNAUTHORIZED PERSONS SHALL NOT BE CONSTRUED AS PERMISSION TO REPRODUCE FOR SALE, IN WHOLE OR IN PART, ANY DEVICES SHOWN THEREIN.		DRAWN JCP 7-25-77		BOX 610, MUNICIPAL AIRPORT MINERAL WELLS TX, 76067
TOLERANCES UNLESS OTHERWISE SPECIFIED		CHECKED H.HOLDERMAN 7-25-77		ENGINEER
DECIMALS: XXX +/- .005	DECIMALS: XX +/- .010	ENGINEER S.WILLIAMS 7-25-77	TITLE WIRING INTERCONNECT 1D755 GYRO SLAVING AMPLIFIER WITH BOOTSTRAP SYNCHRO TO NSD AND FLUX DETECTOR	
FRACTIONS: +/- 1/64	ANGLES: +/- 0° 30'	APPROVED JIRWIN 7-25-77	FILE: H:\USERS\DRAWING\SIZE _C\ 63C524.DWG	SIZE C
BUL 749	MATERIAL	DO NOT SCALE DRAWING	SCALE NONE	DWG NO. 63C524
BUL 2048	FINISH	APPLICATION	REV F	SHEET 1 OF 1